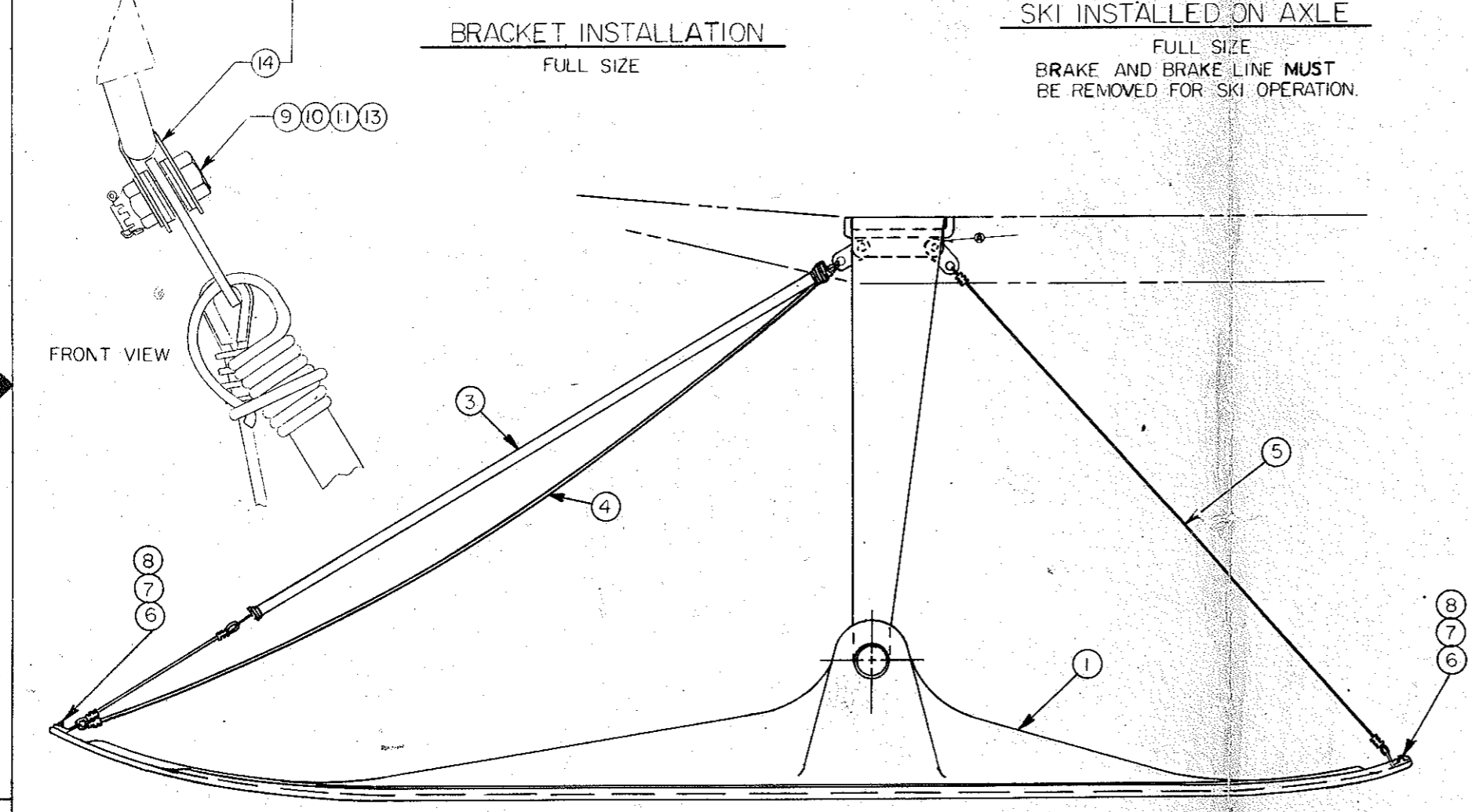
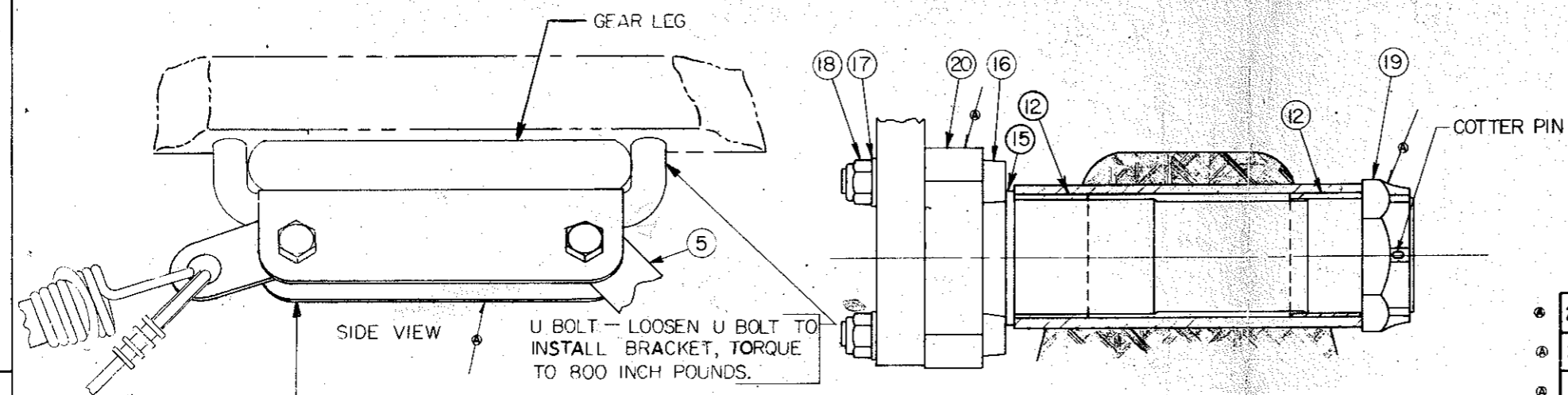


REVISIONS		DESCRIPTION
A		ADD THE 7E CA DROPLINE TO THE SKI KIT ASSEMBLY DRAWING. ALL PARTS MUST BE CHECKED FOR PROPER INSTALLATION. SEE NOTE 9.
B		ADD 7E CA DROPLINE FROM TITLE BLOCK. ADD NOTE ON MODEL L1500A.



NO.	QTY.	PART NO.	DESCRIPTION	STOCK SIZE	MAT'L	MAT'L SPEC.	UTS/1000	FINISH
21	4	L2000-7SG-6	TUBE	(NOT SHOWN)				REDUCE MOUNTING HOLE FROM 3/8 TO 5/16
20	2	L2000-7SG-5	AXLE					
19	2	MS21025-24	NUT					
18	8	AN365-524	NUT					
17	8	AN960-516	WASHER					
16	8	NAS145-30	BOLT					
15	2	AN960-1G16 SPL	WASHER					
14	2	L2000-7SG-4	BRACKET					
13	20	AN960-616	WASHER					
12	4	H-767 SPL	BRZ BEARING					
11	4	AN6-11	BOLT					
10	4	AN310-6	NUT					
9	4	AN380-3-3	COTTER PIN					
8	8	AN960-416	WASHER					
7	8	AN365-428	NUT					
6	8	AN4-6A	BOLT					
5	2	L2000-7SG-3	CHECK CABLE ASSY	38 3/4 THIMBLE TO THIMBLE				
4	2	L2000-7SG-2	SAFETY CABLE ASSY	52 1/2 THIMBLE TO THIMBLE				
3	2	L2000-7SG-1	BUNGEE ASSY	34 SPRING END TO SPRING END				
2	1	L1650A-2	RIGHT SKI	NOT SHOWN				
1	1	L1650A-1	LEFT SKI					
X	1	L1650-7SG	SKI KIT	WT 48LBS				
		OR	SKI KIT	C.G. LOCATED 6.0 INCHES FORWARD OF AXLE CENT.				
2	1	L2000A-2	RIGHT SKI	NOT SHOWN				
1	1	L2000A-1	LEFT SKI					
X	1	L2000-7SG	SKI KIT	WT. 56LBS C.G. 6" AHEAD OF MAIN GEAR AXLE				

INSTALLATION NOTES:

1. LIFT AIRCRAFT.
2. REMOVE WHEELS AND AXLES.
3. INSTALL AXLES (20) AND SKIS PER DRAWING.
4. INSTALL BRACKET PER DRAWING.
5. INSTALL PARTS 3, 4, 5.
6. LOWER AIRCRAFT.
7. FILL OUT FAA FORM 337.
8. ENTER MODIFICATION IN AIRCRAFT RECORDS.
9. COMPUTE NEW WEIGHT AND BALANCE.

NOTE: OLDER AIRGLAS MODEL L1500A SKI IS IDENTICAL TO MODEL L1650A AND QUALIFIES FOR ALL STRUCTURAL RATINGS OF THE L1650A.

NOTE: UNIVERSAL CABLE ASSY 100-3 MAY BE USED IN PLACE OF PARTS L2500-M-4-1, B-2. THIS ASSY USES SHOCK RING 9020.

THIS DRAWING INCLUDES INFORMATION PROPRIETARY TO AIRGLAS ENGINEERING CO., INC. AND SHALL NOT BE USED TO MANUFACTURE OR REPRODUCE WITHOUT PERMISSION OF AIRGLAS ENGINEERING CO., INC.

INSTALLATION PER STC SA261 AL

LIST OF MATERIALS

UNLESS OTHERWISE SPECIFIED DIMENSIONS ARE IN INCHES TOLERANCES ON		CONTRACT NO.		AIRGLAS ENGINEERING	
DECIMALS ANGLES		SPEC. CONTROL NO.		ANCHORAGE, ALASKA	
X+.1 XX+.03 XXX+.00 X+.5°		DR		DATE	
7GCBC, 7ECA		CHK		L2000A SKI INSTA	
HEAT TREAT		STRUCT		FOR CHAMPION MO	
MAT'L GOV. SPEC.		WTS		WITH SPRING GE	
STEEL MIL-H-6875				SIZE	
ALUM MIL-H-6088				CODE	
MAG. CAST MIL-H-6857				IDENT. NO.	
APPLICATION				L2000-7	
				SCALE 1/4-1	