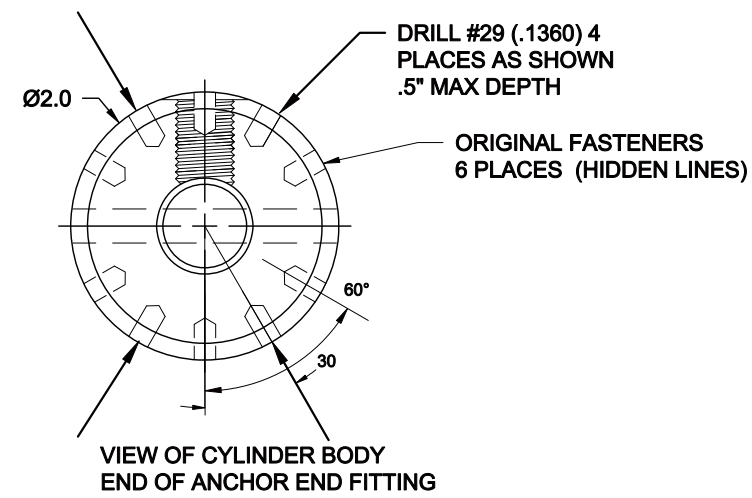


| REVISIONS | | | |
|-----------|-------------|------|----------|
| REV | DESCRIPTION | DATE | APRVD BY |
| | | | |
| | | | |



8 AN503-8-4 ORIGINALY (6 Places)

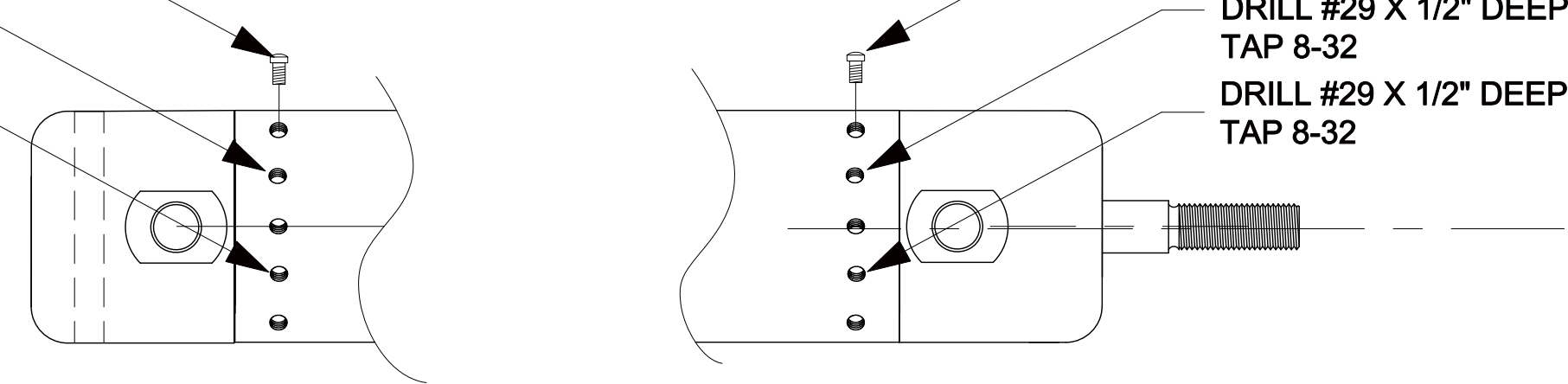
7 DRILL #29 X 1/2" DEEP TAP 8-32

7 DRILL #29 X 1/2" DEEP TAP 8-32

AN503-8-4 ORIGINALY 8 (6 Places)

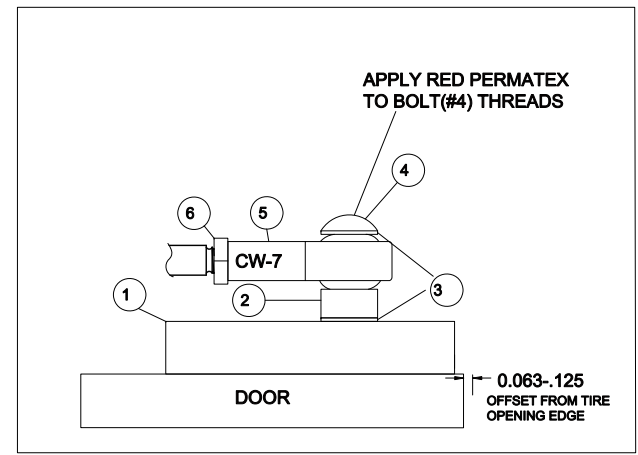
DRILL #29 X 1/2" DEEP TAP 8-32 7

DRILL #29 X 1/2" DEEP TAP 8-32 7



NOTES

1. INSTALL PER AIRGLAS SERVICE LETTER NO. LH3600-9A-1
2. TOP OF CYLINDER IS SHOWN , BOTTOM OF CYLINDER IS OPPOSITE
3. QTY'S SHOWN ARE FOR ONE CYLINDER
4. DRILL ADDITIONAL HOLES MIDWAY BETWEEN EXISTING SCREWS.
5. USE TAPE OR DRILL STOP TO SET DEPTH OF HOLES.



| NO. | QTY | CODE IDENT. NO. | PART NUMBER | DESCRIPTION | STOCK SIZE | MATERIAL | MATERIAL SPEC. | UTS 1000 | FINISH | CALC. UNIT | ACT. WT | ZONE |
|-----|-----|-----------------|--------------------------|---|------------|----------|----------------|----------|--------|------------|---------|------|
| 9 | 2 | | AN380-2-2 | COTTER PIN (NOT DEPICTED) | | | | | | | | |
| 8 | 12 | | AN503-8-4 | SCREW (RETAIN ORIGINAL) | | | | | | | | |
| 7 | 8 | | AN503-8-6 | SCREW (ADDITIONAL) | | | | | | | | |
| 6 | 1 | | AN316-7R | NUT (RETAIN ORIGINAL) | | | | | | | | |
| 5 | 1 | | CW-7 | ROD END (RETAIN ORIGINAL) | | | | | | | | |
| 4 | 1 | | AN27-23 | BOLT (RETAIN ORIGINAL) | | | | | | | | |
| 3 | 2 | | AN960-716 | WASHER (RETAIN ORIGINAL) | | | | | | | | |
| 2 | 1 | 17564 | PA32-206L-5 MOD. 7/16 ID | SPACER (RETAIN ORIGINAL) | | | | | | | | |
| 1 | 1 | 17564 | GLH3000-9-8 | DOOR, CYLINDER ATTACH BLOCK (RETAIN ORIGINAL) | | | | | | | | |

| LIST OF MATERIALS | | | |
|---|----------------|------------------------------------|-----|
| UNLESS OTHERWISE SPECIFIED DIMENSIONS ARE IN INCHES | | CONTRACT NO. | |
| SPEC. CONTROL NO. | | Airglas, Inc. Anchorage, Alaska | |
| DECIMALS X ± .1 ANGLES X' ± 2" | | HEAT TREAT | |
| XX ± .03 X' ± 2" | | MATERIAL GOV. SPEC. | |
| XXX ± .010 | | STEEL MIL - H - 6875 | |
| MATERIAL GOV. SPEC. | | ALUM. MIL - H - 8098 | |
| MIL - H - 6875 | | MAG. CAST MIL - H - 6857 | |
| APPROVED BY: JDH | | Checked by: JDH | |
| Checked by: JDH | | Drawn by: CDB | |
| Date: JUNE 25, 2012 | | Scale: Do Not Scale | |
| Size | Code Ident.No. | REV | |
| B | 17564 | LH3600-9A-1S | (-) |
| Sheet | | 1 OF 1 | |

THIS DRAWING INCLUDES INFORMATION PROPRIETARY TO AIRGLAS, INC. AND IS SUBMITTED FOR EVALUATION ONLY AND SHALL NOT BE USED TO MANUFACTURE OR REPRODUCE WITHOUT PERMISSION OF AIRGLAS, INC.