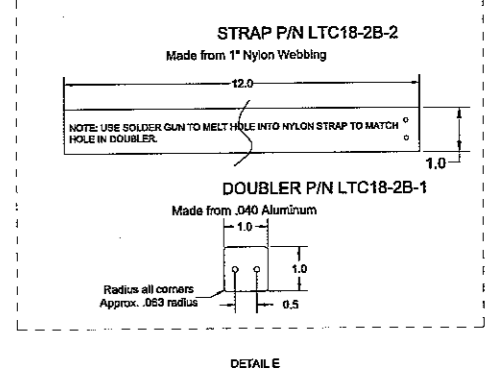
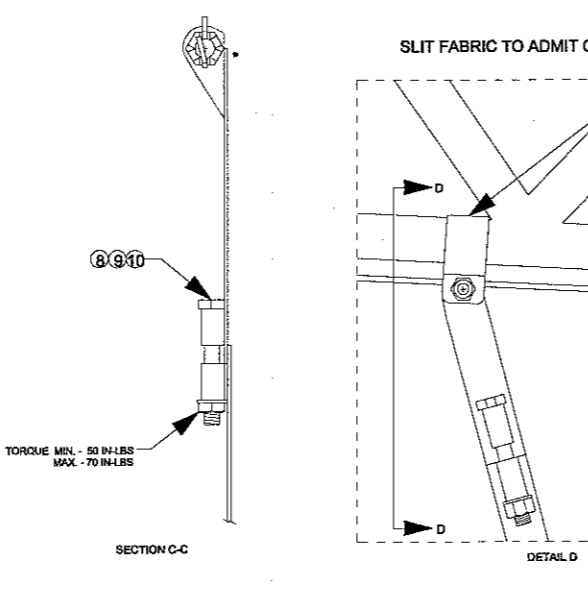
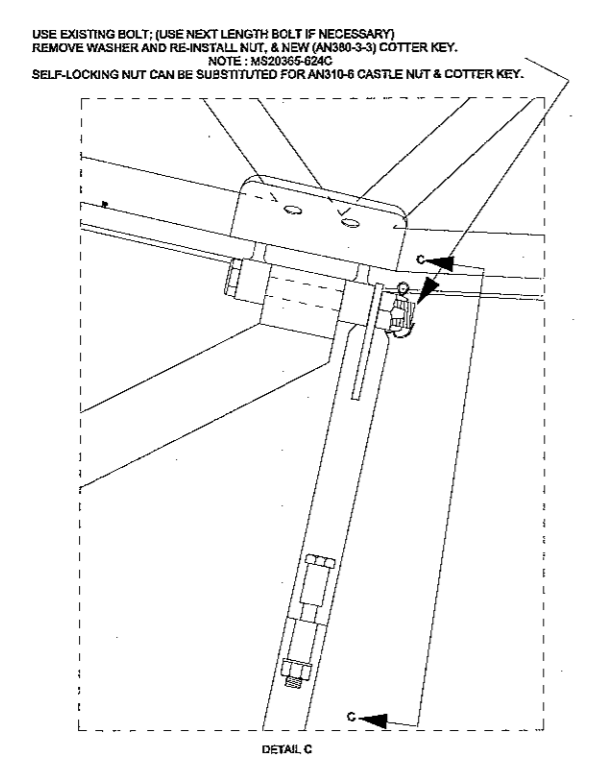
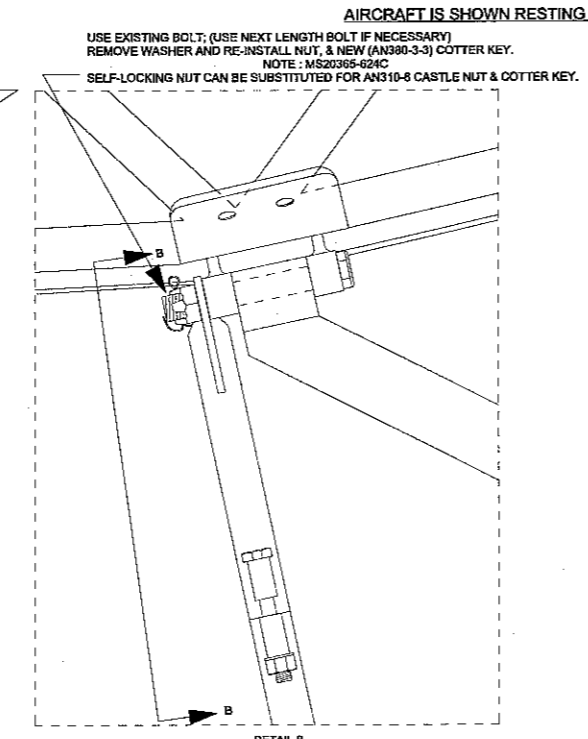
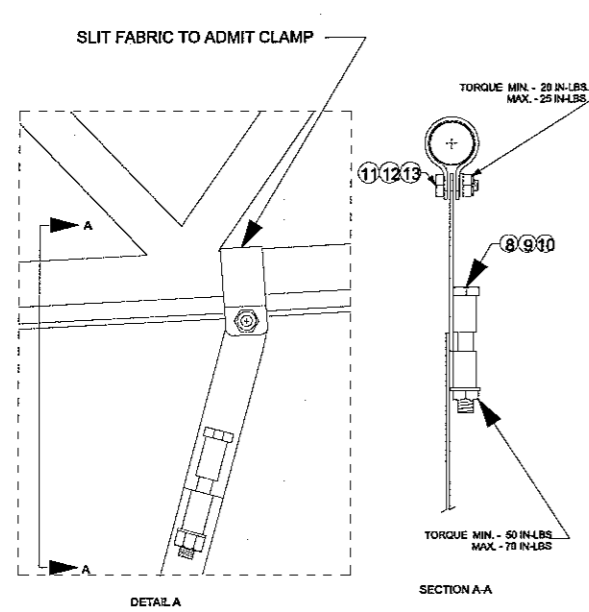
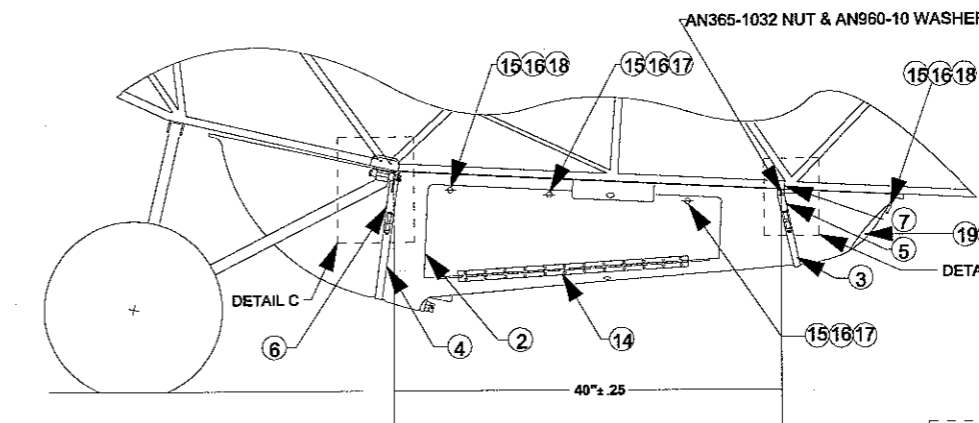
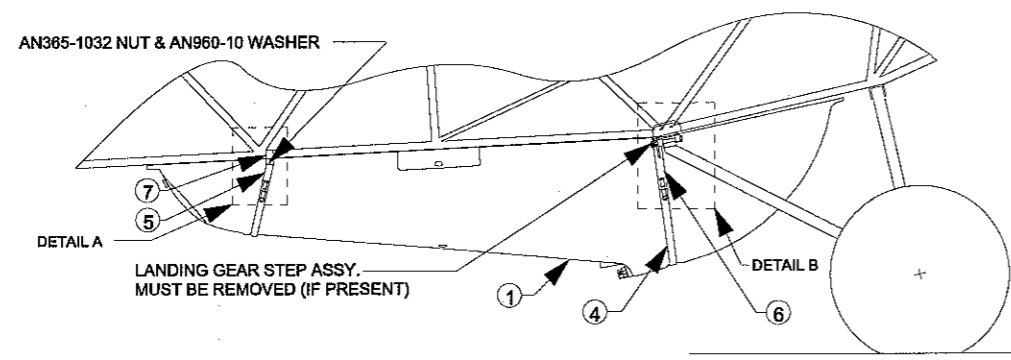


REVISIONS		DATE	APRVD
ALL	A	6 JUN 2008	CED
ALL	B	7 JUN 2010	CED
ALL	C	24 May 2011	CED
ALL	D	8 FEB 2012	CDB



- NOTES**
- FOR INSTALLATION ON FLOATS SEE AIRGLAS INSTALLATION MANUAL LC18/LTC18-105 (SEC. 5.2)
 - POD KIT IS FURNISHED WITH DIMPLES IN MOLD, TO IDENTIFY HOLE LOCATIONS FOR AFT CROSS WIRES OF FLOAT ATTACHING GEAR. CAREFULLY ENLARGE THESE HOLES TO 3/4 INCH DIAMETER BEFORE INSTALLING FLOATS.(LOCATIONS CONFIRMED ON EDO 2000 FLOATS ONLY)

BAGGAGE COMPARTMENT IS LIMITED TO A MAXIMUM OF 170 LBS

NO.	QTY	CODE IDENT. NO.	PART NUMBER	DESCRIPTION	STOCK SIZE	MATERIAL	MATERIAL SPEC.	UTS 1000	FINISH	CALC. UNIT	ACT. WT	ZONE
21	2		LTC18-2B-2	STRAP								F1
20	2		LTC18-2B-1	DOUBLER								F1
19	1		LTC18-2B	REAR DOOR								H3
18	4		SSA-200	SPRING								H3
17	2		SSA-250	SPRING								H3
16	6		GA5-375	GROMMET								H3
15	6		AJS-45	STUD, DZUS								H3
14	1		MS20257P2	HINGE								G3
13	2		AN365-1032	NUT								C4
12	2		AN960-10	WASHER								C4
11	2		AN3-4A	BOLT								C4
10	4		AN365-428	NUT (MS21042-4 ALTERNATE)								E7
9	4		AN960-416	WASHER								E7
8	4		AN4-24A or MS90727-16	BOLT								E7
7	2		LTC18-8	CLAMP								H2
6	2		LTC18-6	STRAP ASSY.								H3
5	2		LTC18-5	STRAP ASSY.								H2
4	1		LTC18-4	STRAP ASSY.								G3
3	1		LTC18-3	STRAP ASSY.								G2
2	1		LTC18-2	SIDE DOOR								H3
1	1		LC18-1	CARGO POD								G3
1	1		LC18	POD KIT								G7

LIST OF MATERIALS		CONTRACT NO.		SPEC. CONTROL NO.	
UNLESS OTHERWISE SPECIFIED DIMENSIONS ARE IN INCHES	DECIMALS	3/16"	3/32"	3/64"	3/128"
ANGLES	° ± 2'				
HEAT TREAT	MIL-H-6875				
MATERIAL	MIL-H-6089				
STEEL	MIL-H-6875				
ALUM.	MIL-H-6875				
MAG. CAST	MIL-H-6875				
APPROVED BY:	WKL		DATE:	5-14-00	
CHECKED BY:	WKL		DATE:	5-14-00	
DRAWN BY:	Gary Landes		SCALE:	NOTED	
SIZE:	B		CODE IDENT. NO.:	17564	
REV:	D		ISSUED:	1 OF 1	

Airglas, Inc.
Anchorage, Alaska

LC18
CARGO POD
INSTALLATION

LC18