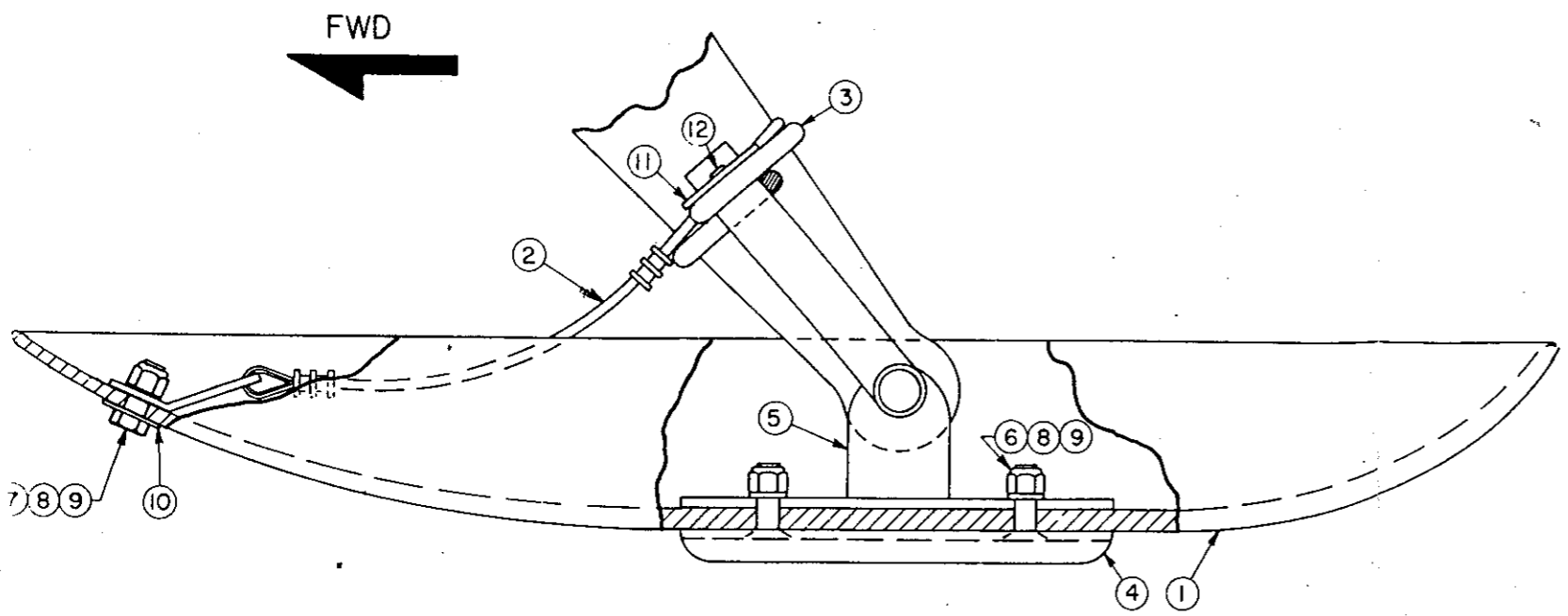
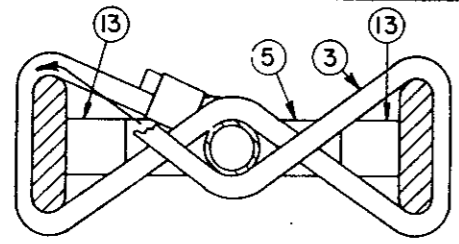


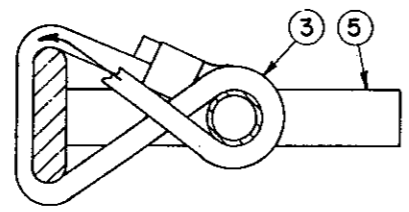
| | | |
|----------|-------------|---------------|
| REVISION | | DATE APPROVED |
| ZONE/LTR | DESCRIPTION | |



THIS DOCUMENT OR DRAWING INCLUDES INFORMATION PROPRIETARY TO AIRGLAS, INC. AND IS SUBMITTED FOR EVALUATION ONLY AND SHALL NOT BE USED TO MANUFACTURE OR REPRODUCE WITHOUT PERMISSION OF AIRGLAS, INC.



BUNGEE INSTALLATION ON 2 LEG TAIL WHEEL FORK.



BUNGEE INSTALLATION ON ONE LEG TAIL WHEEL FORK.

NO SCALE

INSTALLATION NOTES

1. LIFT AND SUPPORT TAIL OF AIRCRAFT.
2. REMOVE TAIL WHEEL FROM FORK.
3. INSTALL AND SECURE TAIL SKI ON FORK.
4. INSTALL BUNGEE PER ABOVE SKETCH. KEEP BUNGEE PULLED TIGHT WHILE INSTALLING.
5. SECURE BUNGEE WITH PARTS 11,12.
6. LOOP SAFETY CABLE AROUND FORK LEG ABOVE THE BUNGEE. MAINTAIN SLACK IN CABLE TO ALLOW THE SKI NOSE TO DROP 1/2 INCH. SECURE NICOPRESS SLEEVE.
7. REMOVE SUPPORT FROM UNDER TAIL OF AIRCRAFT.
8. ENTER INSTALLATION IN AIRCRAFT RECORDS.

| 13 | 2 | -5 | SPACER | (FOR SCOTT) | | | | | | | |
|-----|------|------------|-------------------|---|-------|-------------|-------------|--------|-------------|-----------|------|
| 12 | 1 | AN380-3-4 | COTTER PIN | | | | | | | | |
| 11 | 1 | AN960-1016 | WASHER | | | | | | | | |
| 10 | 1 | AN970-4 | WASHER | | | | | | | | |
| 9 | 3 | AN960-416 | WASHER | | | | | | | | |
| 8 | 3 | AN365-428 | NUT | | | | | | | | |
| 7 | 1 | AN4-6A | BOLT | | | | | | | | |
| 6 | 2 | NAS517-4-5 | SCREW | | | | | | | | |
| 5 | 1 | -4 | STAND | | | | | | | | |
| 4 | 1 | -3 | RUNNER | | | | | | | | |
| 3 | 1 | -2 | SAFETY CABLE ASSY | | | | | | | | |
| 2 | 1 | -1 | BUNGEE | 1/4 X 60 DOUBLE LEG FORK, 1/4 X 40 SINGLE LEG FORK. | | | | | | | |
| 1 | 1 | L250-6 | TAIL SKI | | | | | | | | |
| | 1 | L250 | TAIL SKI KIT | | | | | | | | |
| NO. | QTY. | PART NO. | DESCRIPTION | STOCK SIZE | MAT'L | MAT'L SPEC. | UTS 1000 | FINISH | CALC LMT | ACT WT | ZONE |

LIST OF MATERIALS

| | | | | | |
|---|--|-----------------------------|--|---|--|
| UNLESS OTHERWISE SPECIFIED DIMENSIONS ARE IN INCHES TOLERANCES ON DECIMALS ANGLES X+.1 XX+.03 .XXX+.010 X+.5° | | CONTRACT NO. | | AIRGLAS ENGINEERING CO., INC. ANCHORAGE, ALASKA | |
| HEAT TREAT MAT'L GOV. SPEC. STEEL MIL-H-6875 ALUM MIL-H-6088 MAG. CAST. MIL-H-6857 | | SPEC. CONTROL NO. | | L250 TAIL SKI INSTALLED ON SCOTT TAIL WHEEL OR MAULE TAIL WHEEL | |
| NEXT ASSY USED ON APPLICATION | | DR 3 DATE 2/23/68 | | SCALE FULL | |
| | | STRUCT WTS | | SHEET 1 OF 1 | |
| | | SIZE CODE IDENT NO. D 17564 | | L250 | |