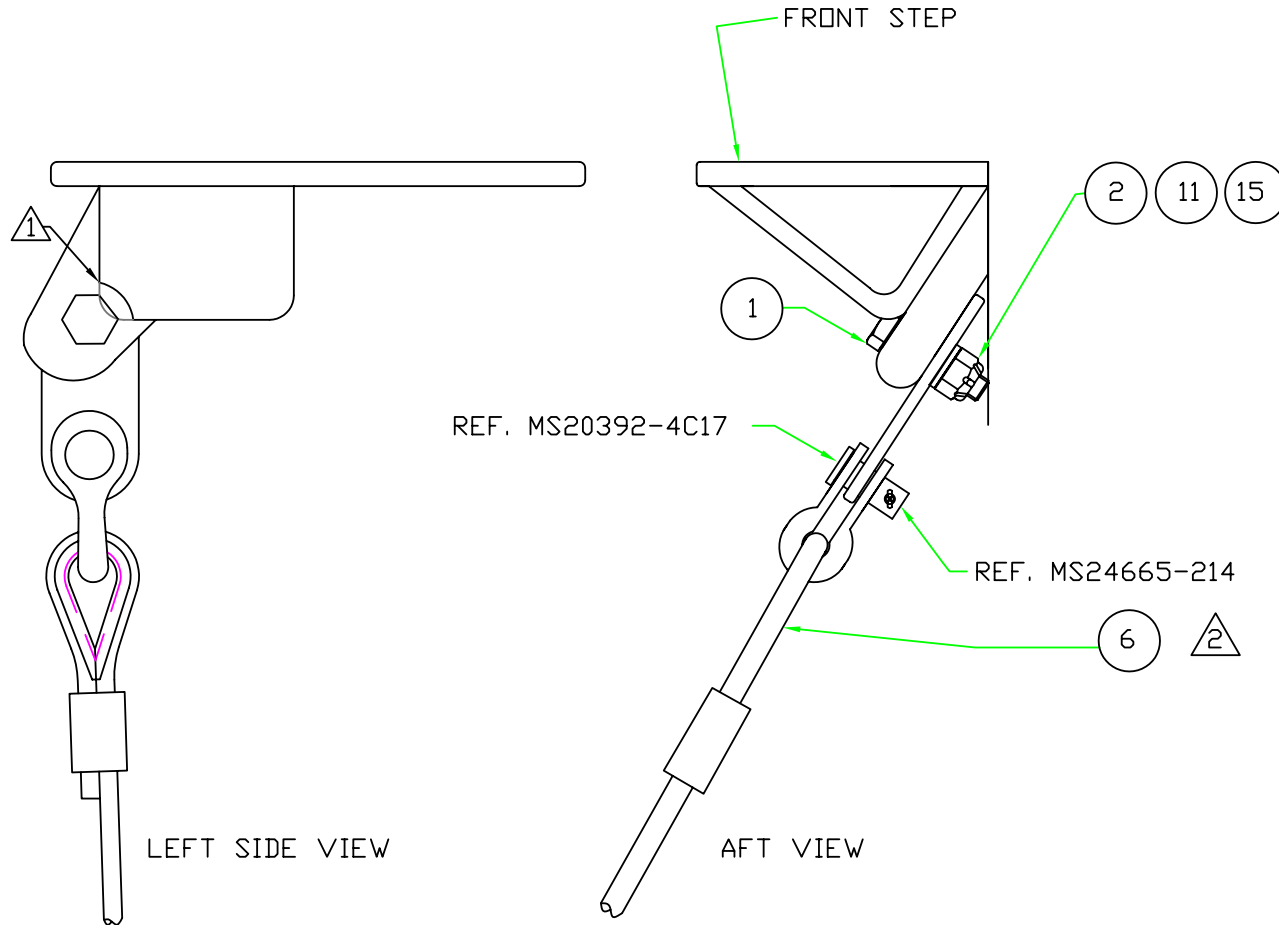


* NOTICE *
 INFORMATION CONTAINED HEREIN IS PROPRIETARY TO AEROTWIN, INC. AND MAY NOT BE DISCLOSED IN WHOLE OR IN PART OR USED FOR ANY DESIGN OR MANUFACTURE UNLESS THE USER POSSESSES DIRECT WRITTEN AUTHORIZATION FROM AEROTWIN, INC..

ISS	DESCRIPTION	INIT	DATE
1	INITIAL RELEASE		



LEFT SIDE VIEW

AFT VIEW

DETAIL A: FRONT SAFETY CABLE
(TYP BOTH SIDES)

ENGINEERING NOTES:

1. GRIND STEP AS REQUIRED TO ACCOMMODATE BOLT HEAD.
2. CABLE ASSEMBLY INCLUDES EVERYTHING SHOWN UP TO AND INCLUDING THE TAB.
3. SEE BILL OF MATERIALS ON SHT 6.

DRAWN B. SLATER	DATE 01/04/2008	TOLERANCES UNLESS STATED OTHERWISE:	<i>AeroTwin, Inc.</i>	
CHECKED		.X ± 0.050	TITLE AIRGLAS LH4000F RIGGING INSTALL	
DESIGN		.XX ± 0.030	SHEET 2 OF 6	DRAWING NO. FND-SKI-1020
MANUFACTURE		.XXX ± 0.010	MOD. NUMBER	ISSUE 1
ENGINEERING DEPT. APPROVAL		ANGLES ± 1.5° ALL DIMENSIONS ARE IN INCHES	NEXT ASSEMBLY	PLOT SCALE NTS
APPROVAL		MACHINED SURFACES: FINISH TO 125 OR BETTER	DO NOT SCALE PRINT	
EFFECTIVITY PART NUMBER	EFFECTIVITY GENERAL			