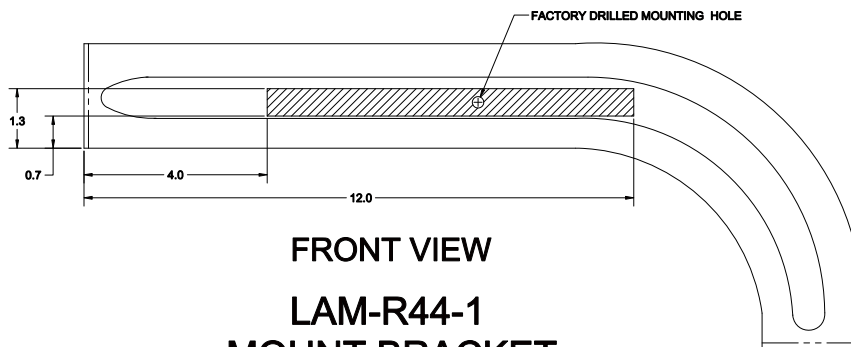


NOTES

1. A MAXIMUM OF TWO ADDITIONAL HOLES MAY BE DRILLED IN THE LAM-R44 MOUNT BRACKET. ALL HOLES MUST BE WITHIN THE SHADED AREA. ▨
2. MAXIMUM HOLE DIAMETER IS 1/4", WITH A MINIMUM SPACING OF 1" BETWEEN ALL HOLES.
3. WEAR RESPERATOR, EYE PROTECTION, AND PROTECTIVE CLOTHING. VACUUM UP ALL SHAVINGS.



FRONT VIEW
LAM-R44-1
MOUNT BRACKET

THIS DRAWING INCLUDES INFORMATION PROPRIETARY TO AIRGLAS, INC. AND IS SUBMITTED FOR EVALUATION ONLY AND SHALL NOT BE USED TO MANUFACTURE OR REPRODUCE WITHOUT PERMISSION OF AIRGLAS, INC.

This document and the information disclosed herein are proprietary information of Airglas, Inc. Neither this document nor the information contained herein shall be transmitted, reproduced, copied, or disclosed in any form or by any means without the written authorization of Airglas, Inc.

The information disclosed herein includes trade secrets and confidential business and/or financial information and falls within exemption (b) (4) of 5 USC 552 (FOIA) and the prohibitions of 18 USC 1905.

UNLESS OTHERWISE SPECIFIED DIMENSIONS ARE IN INCHES		CONTRACT NO.	Airglas, Inc. Anchorage, Alaska	
DECIMALS 2 & 4 FRACTIONS 1/16, 1/8, 1/4, 3/8, 1/2, 5/8, 3/4, 7/8		SPEC. CONTROL NO.	LAM-R44 PORTABLE DEVICE MOUNT BRACKET INSTALLATION ON ROBINSON R44	
MATERIAL: HEAT TREAT STEEL ALUM. MAG. CAST		APPROVED BY: CDB	CHECKED BY: CDB	REV. B
SUN. SPEC. MIL - H - 8870 MIL - H - 8888 MIL - H - 8887		DRAWN BY: JDH	Date: JUNE 28, 2013	Part: Do Not Reuse Sheet: 2 OF 2