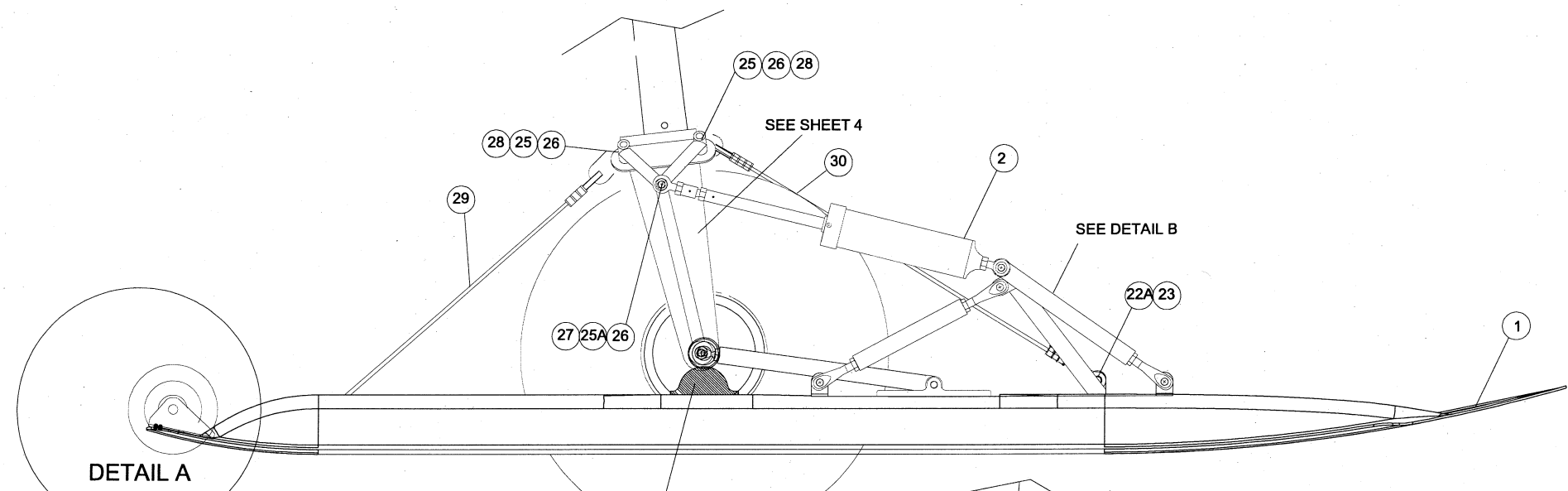


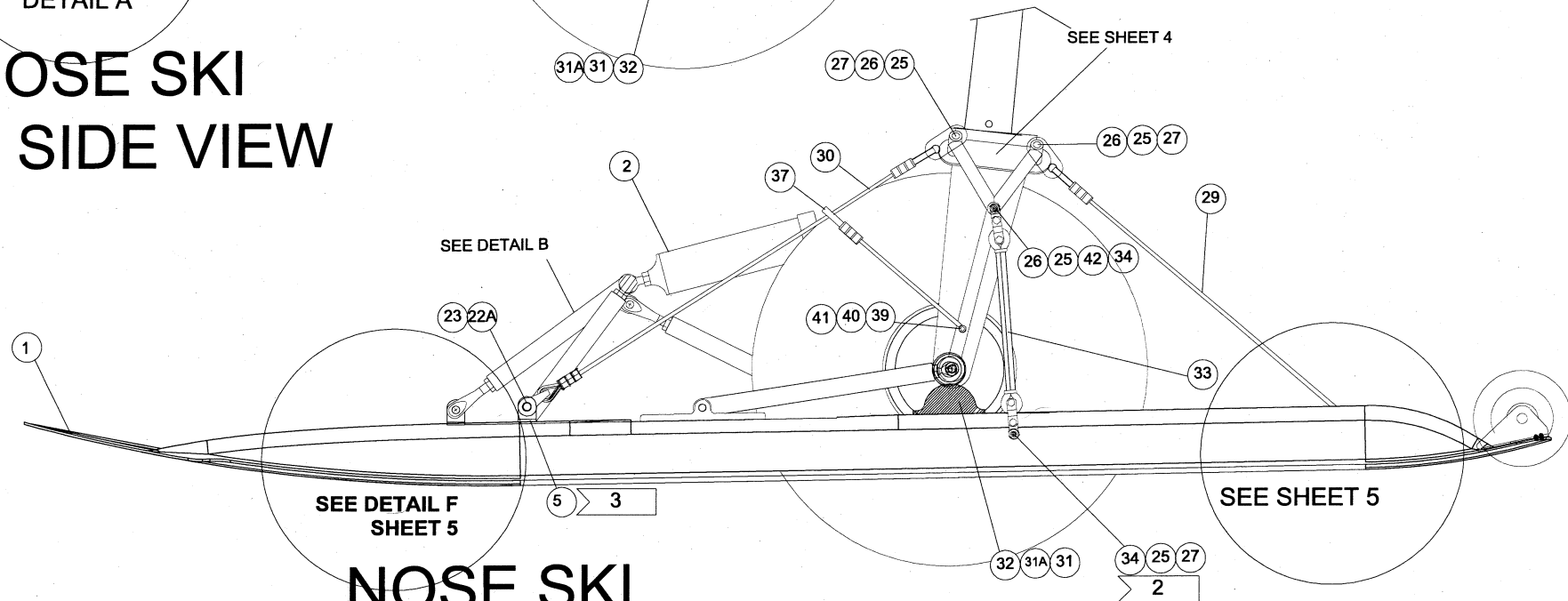
REVISIONS			
REV	DESCRIPTION	DATE	APPROVED BY
A	Minor Drafting Change	7/12/2018	JDH
B	Minor Drafting Change	8/7/2018	JDH
C	Corrected Tolerance	1/14/2019	JDH

NOTES:

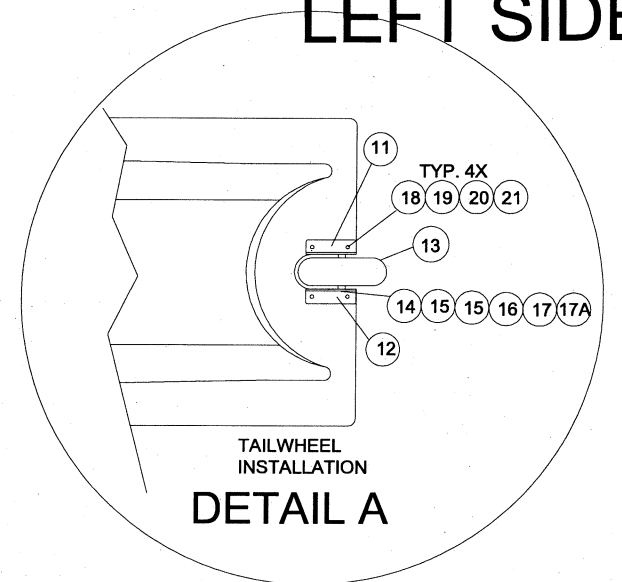
1. CONFIRM FORK THREADS EXTEND PAST WITNESS HOLE.
2. APPLY RED LOC-TITE TO BOLT (#27).
3. APPLY RED LOC-TITE TO EYE BOLT (#5).



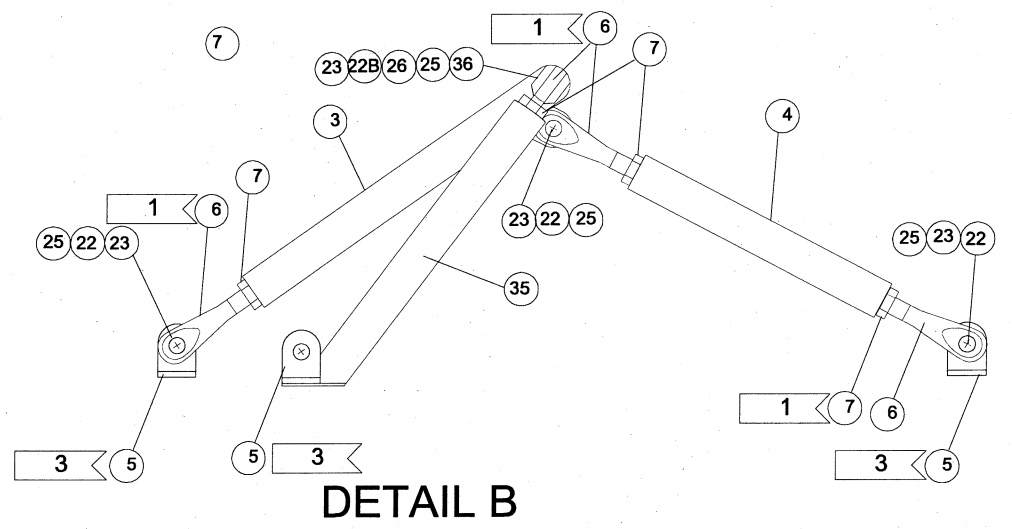
**NOSE SKI
RIGHT SIDE VIEW**



**NOSE SKI
LEFT SIDE VIEW**



**TAILWHEEL
INSTALLATION
DETAIL A**



DETAIL B

NO.	QTY	CODE-IDENT-NO	PART NO.	DESCRIPTION	NOTES
42	1		AN6-25A	BOLT	
41	1		MS21044N3	NUT	
40	1		AN3-4A	BOLT	
39	2		NAS1149F0332P	WASHER	
38			RESERVED		
37	1	17564	GLH3000-206-NS-15 B	BUNGEE ASSY	
36	1		AN46-12	EYE BOLT	
35		RESERVED			
34	2	17564	PA32-206L-5	SPACER	
33	1	17564	GLH3000-GA8-NS-14	BUNGEE ASSY. NOSE SKI	(BUNGEE P/N 6060CW)
32	4		SSB-6-16	RIVET	
31A	4	17564	LH3600-01-5	YOKE PAD	
31	2	17564	GLH3000-01-170	YOKE PAD	
30	1	17564	GLH3000-GA8-15	SAFETY CABLE ASSY. NOSE SKI	
29	1	17564	GLH3000-GA8-13	CHECK CABLE ASSY. NOSE SKI	
28	2		AN6-23A	BOLT	
27	3		AN6-24A	BOLT	
26	7		MS21044N6	NUT	
25	20		NAS1149F0663P	WASHER	
25A	1		AN970-6	LARGE AREA WASHER	
24		RESERVED			
23	5		AN380-3-2	COTTERPIN	
22B	1	17564	MS20392-5C21	CLEVIS PIN	
22A	1		MS20392-5C19	CLEVIS PIN	
22	3		MS20392-5C23	CLEVIS PIN	
21	4		MS21044N4	NUT	
20	4		NAS1149F0432P	WASHER	
19	4	17564	2931	SS WASHER	
18	4		AN4-7A	BOLT	
17A	1		AN380-3-2	COTTERPIN	
17	1		AN310-8	NUT	
16	4		NAS1149F0816P	WASHER	
15	2		NAS75-8-06	BUSHING	
14	1		AN8-32	BOLT	
13	1	17564	TWNP-66	WHEEL ASSY. 6"	
12	1	17564	L20500-18-1	TAIL WHEEL BRKT L.H.	
11	1	17564	L20500-18-2	TAIL WHEEL BRKT R.H.	
10	8		AN310-6	NUT	
9	3		NAS1149F0632P	WASHER	
8		RESERVED			
7	4		AN316-7	NUT	
6	4	17564	L20500A-8-8	FORK	
5	3		AN47-14	EYE BOLT	
4	1	17564	GLH3000-NG-LR2-1	TUBE ASSY	
3	1	17564	GLH3000-NG-LR2-2	TUBE ASSY	
2	1	17564	GLH3000-NS-LR-GA	RIGGER	
1	1	17564	GLH3000-NS	NOSE SKI	
X		17564	GLH3000-NS-1	NOSE SKI KIT	
NO.	QTY	CODE-IDENT-NO	PART NO.	DESCRIPTION	NOTES
QUANTITY PER NOSE SKI					

UNLESS OTHERWISE SPECIFIED DIMENSIONS ARE IN INCHES		CONTRACT NO.	Airglas, Inc. Anchorage, Alaska	
DECIMALS	ANGLES	SPEC. CONTROL NO.	GLH3000 NOSE AND LH4000 MAIN SKI INSTALLATION ON GIPPSAERO GA8 SERIES	
HEAT TREAT	GOV. SPEC.	Approved by: JDH	Size	Code Ident.No.
STEEL	MIL - H - 6875	Checked by: JDH	B	17564
ALUM.	MIL - H - 6088	Drawn by: CDB	LH4000-GA8	REV
MAG. CAST	MIL - H - 6857	Date: FEB 14, 2018		C
NEXT ASSY.	USED ON	APPLICATION	Scale: Do Not Scale	Sheet 3 OF 10