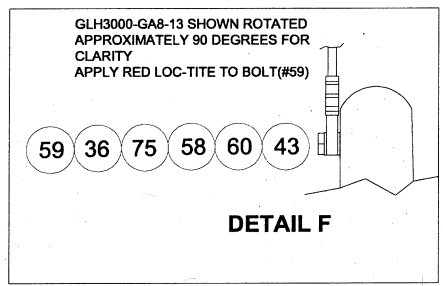
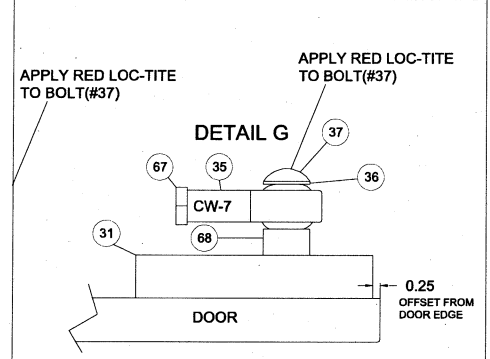
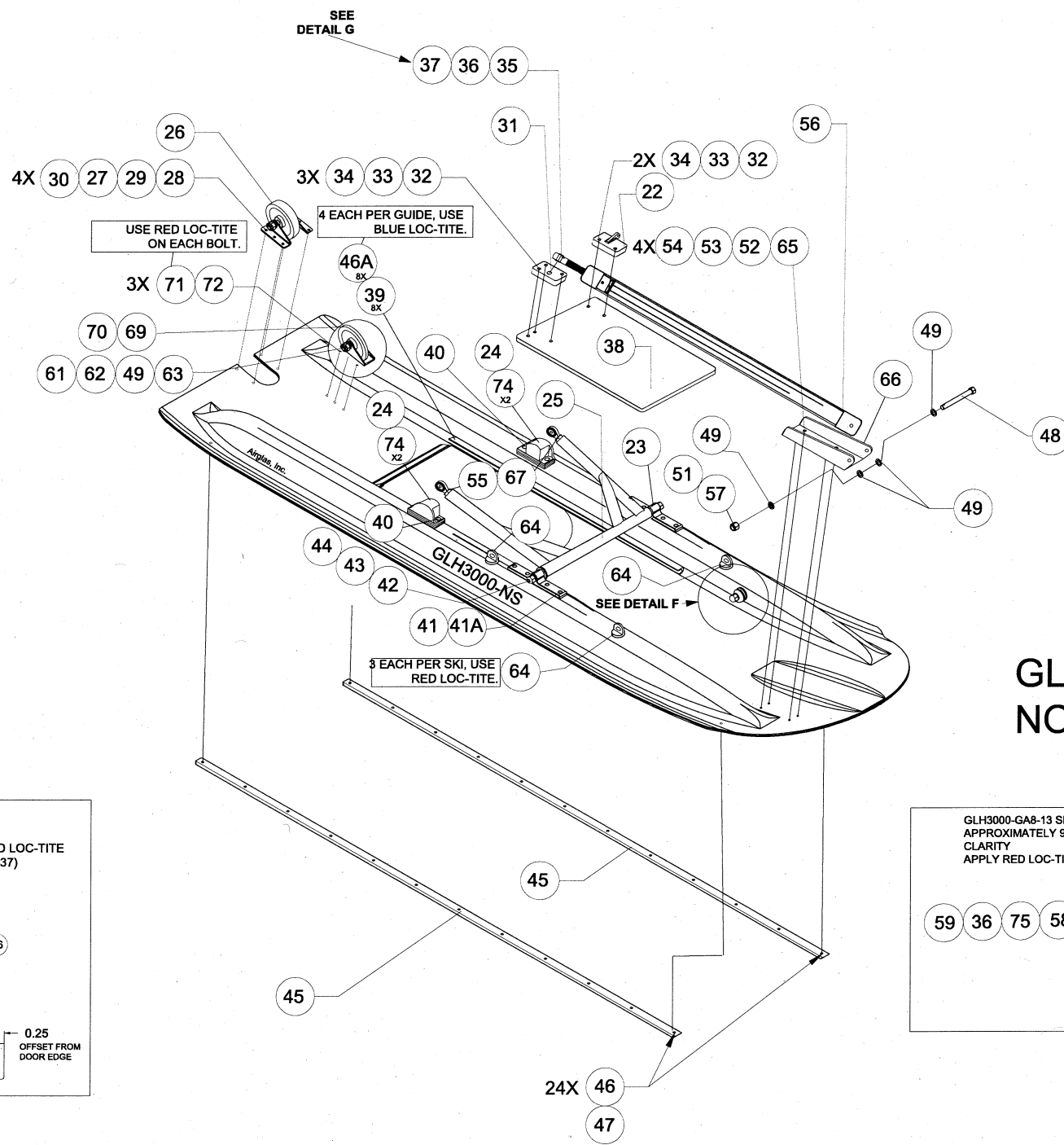


REVISIONS			
REV	DESCRIPTION	DATE	APPROVED BY
A	Minor Drafting Change	7/12/2018	JDH
B	Minor Drafting Change	8/7/2018	JDH
C	Corrected Tolerance	1/14/2019	JDH



NO.	QTY	CODE-IDENT-NO	PART NO.	DESCRIPTION	NOTES
75	1		A560-2	SPACER	
74	4	17564	LH3600-01-5	YOKE PAD	
73				RESERVED	
72	3		A3475-020-935	WASHER	
71	3		NAS517-4-9	SCREW	
70	1	17564	GLH3000-206-13-18-2	BRACKET	
69	1		MS24566-3B	PULLEY	
68	1	17564	PA32-206L-5 MOD. 7/16 I.D.	SPACER (PA32-206L-5 MOD. 7/16 I.D.)	
67	3		AN316-7R	NUT	
66	1	17564	LH3600-9A-6	MOUNT, HYDRAULIC CYLINDER	
65	4		A3235-020-24A	COUNTERSINK WASHER	
64	3		AN46-10	EYE BOLTS	
63	1		MS21044N4	NUT	
62	1		AN960-416	WASHER	
61	1		AN4-13	BOLT	
60	1		AN960-716	WASHER	
59	1		AN6-10A	BOLT	
58	1	17564	GLH3000-GA8-13	CHECK CABLE (REF)	
57	1		AN380-2-2	COTTERPIN	
56	1	17564	LH3600-9A	HYDRAULIC CYLINDER ASSEMBLY	
55	2		HM76G	ROD END	
54	4		MS21042-3	NUT	
53	4		AN960-10	WASHER	
52	4		AN509-10R12	SCREW	
51	1		AN310-4	NUT	
50				RESERVED	
49	5		AN960-416L	WASHER	
48	1		AN4-25	BOLT	
47	24		MS21042-3	NUT	
46	24		AN509-10R12	SCREW	
46A	8		AN509-10R16	SCREW	
45	2	17564	GLH3000-01-3	RUNNER	
44	2		AN365-624C	NUT	
43	4		AN960-616	WASHER	
42	1	17564	GLH3000-5-6	RETAINING ROD, YOKE	
41A	8		AN960-516	WASHER	
41	8		AN5-11A	BOLT	
40	4		SSB-6-16	RIVET	
39	2	17564	GLH3000-01-2	GUIDE	
38	1	17564	GLH3000-8-1	DOOR	
37	1		AN27-23	CLEVIS BOLT	
36	2		AN960-716L	WASHER	
35	1		CW7	ROD END	
34	5		AN364-428	NUT	
33	5		AN960-416L	WASHER	
32	5		NAS517-4-14	SCREW	
31	1	17564	GLH3000-9-8	DOOR, CYLINDER ATTACH BLOCK	
30	4		AN365-428A	NUT	
29	4		AN960-416L	WASHER	
28	4		AN4-7A	BOLT	
27	4		2931	WASHER, FENDER, SS 1/4 x 1"	
26	1	17564	LW2500-18	TAILWHEEL ASSY.	
25	1	17564	GLH3000-5	YOKE ASSY.	
24	2	17564	LH3600-01-170	YOKE PAD	
23	2	17564	LW2500-3	SKI ATTACH FITTING	
22	1	17564	GLH3000-206-9-8	DOOR, CABLE ATTACH BLOCK	
1	1	17564	GLH3000-NS	NOSE SKI	
X		17564	GLH3000-NS-KIT	NOSE SKI KIT	
NO.	QTY	CODE-IDENT-NO	PART NO.	DESCRIPTION	NOTES
QUANTITY FOR ONE (1) NOSE SKI					

UNLESS OTHERWISE SPECIFIED DIMENSIONS ARE IN INCHES		CONTRACT NO.	Airglas, Inc. Anchorage, Alaska	
DECIMALS ANGLES 24.125 30.000 0.001 0.001		SPEC. CONTROL NO.	GLH3000 NOSE AND LH4000 MAIN SKI INSTALLATION ON GIPPSAERO GA8 SERIES	
HEAT TREAT MATERIAL GOV. SPEC. STEEL MIL - H - 6875 ALUM. MIL - H - 6088 MAG. CAST MIL - H - 6857		Approved by: JDH	Size Code Ident. No.	
NEXT ASSY.	USED ON	Checked by: JDH	B 17564	LH4000-GA8
APPLICATION		Drawn by: CDB	REV C	
		Date: FEB 14, 2018	Scale: Do Not Scale Sheet 5 OF 10	