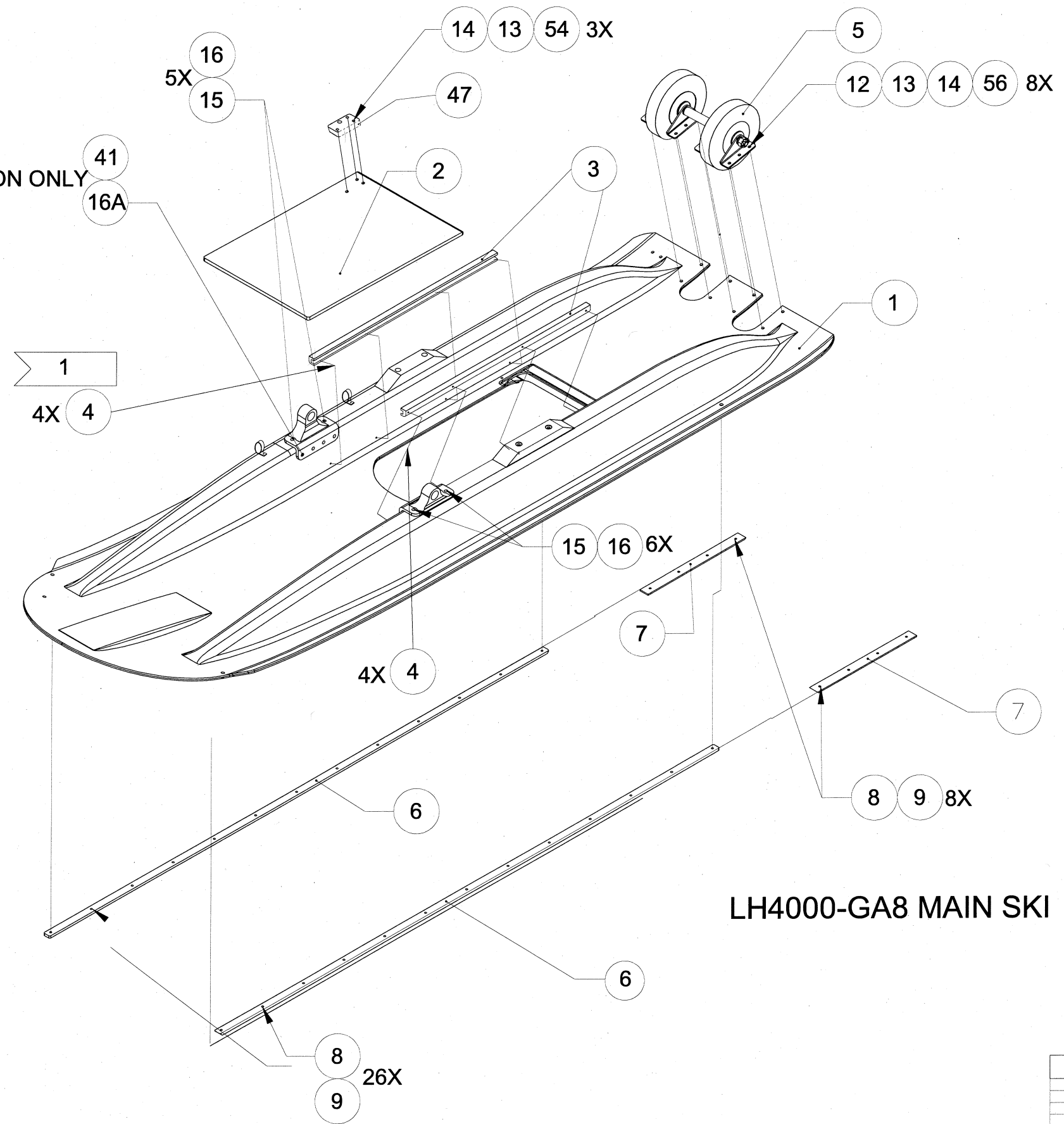


REVISIONS			
REV	DESCRIPTION	DATE	APPROVED BY
A	Minor Drafting Change	7/12/2018	JDH
B	Minor Drafting Change	8/7/2018	JDH
C	Corrected Tolerance	1/14/2019	JDH

NOTES:
 1. APPLY BLUE LOC-TITE TO SCREWS (#4).
 2. SKI THICKNESS MAY VARY DUE TO MANUFACTURING VARIANCES AND ALTERNATE BOTTOM PLASTIC THICKNESS. INCREASE OR DECREASE FASTENER LENGTHS TO COMPENSATE.

LIST OF MATERIALS (PER SKI) SHEETS 6, 7, AND 8					
NO.	QTY	CODE-IDENT-NO	PART NO.	DESCRIPTION	NOTES
1	1	17564	LH3600-01-1	SKI MOLDING ASSY	
2	1	17564	LH3600A-8	DOOR ASSY	
3	2	17564	GLH3000-01-2	GUIDE	
4	8		AN50910R-16	SCREW	
5	1	17564	LH3600A-12	TAIL WHEEL ASSY	
6	2	17564	LH3600-01-3	SKI RUNNER	
7	2	17564	LH3600-01-11	REAR SKI RUNNER	
8	34		AN509-10R-12	SCREW	
9	38		MS21042-3	NUT	
10				Reserved	
11	4		SSB6-12	RVET	
12	8		AN4-7A	BOLT	(ALT. AN4-10A)
13	11		AN960-416	WASHER	
14	11		AN365-428A	NUT	
15	14		AN5-7A	BOLT	
16	18		AN960-516	WASHER	
16A	1		AN960-516L	WASHER	
17	2		AN960-1416L	WASHER	
18	1	17564	LH3600-5-GA8	YOKE ASSY	
19	1	17564	LH3600-3	SKI ATTACH FITTING	
20	1	17564	LH3600-4	SKI ATTACH FITTING	
21	2	17564	LH3600-5-4	YOKE BUCKET	
22	1	17564	LH3600-5-5	RETAINING ROD	
23	1	17564	LH3600-01-4	YOKE PAD	
24	1	17564	LH3600-01-4 (Mod)	YOKE PAD, Modified	
25	4		A3235-020-24A	COUNTERSUNK WASHER	
26	2		AN365-524C	NUT	
27				RESERVED	
28	1	17564	LH4000-GA8-14	FRONT BUNGEE ASSY	
29	1	17564	LH4000-GA8-15	FRONT SAFETY CABLE	
30				RESERVED	
31	1		AN316-7R	NUT	
32	3		AN365-524A	NUT	
33				RESERVED	
34	1	17564	LH4000-GA8-13L	CHECK CABLE, MAIN SKI LH	
34A	1	17564	LH4000-GA8-13R	CHECK CABLE, MAIN SKI RH	NOT DEPICTED
35	1	17564	LH3600A-9	HYDRAULIC CYLINDER ASSY	
36	1	17564	LH3600-9A-6	MOUNTING BRACKET	
37	1		AN4-25	BOLT	
38	1	17564	LH3600-6-GA8	FLANGE	
39	1	17564	LH3600-7-GA8	STUBAXLE	
40	1		AN960-716	WASHER	
40A	2		AN960-716L	WASHER	
41	1		AN25-12	CLEVIS BOLT	
42	1	17564	92510A795(MOD)	SPACER	DRILL ID TO .4375 A.K.A. (PA32-206L 5)
43	1		AN27-23	CLEVIS BOLT	
44	2		MS21919WDG16	CLAMP	
45	2		AN3-5	BOLT	
46	4		NAS517-3-5	SCREW	
47	1	17564	GLH3000-9-8	DOOR, CYL. ATTACH BLOCK	
48	4		AN960-10	WASHER	
49	1		CW-7	ROD END	
50	1		AN5-10A	BOLT	
51	1		AN960-616	WASHER	
52	1		A560-2	SPACER	
53	1		LH3600-10	YOKE RESTRAINING CABLE	
54	3		NAS517-4-14	SCREW	
55	3		7676	5/16 18-8 SS FENDER WASHER	
56	8		2931	1/4 18-8 SS FENDER WASHER	
57	4		AN960-416L	WASHER	
58	1		AN310-4	NUT	
59	1		AN380-2-2	COTTER PIN	
60	A/R		111-4	Stratoflex hose or equivalent	NOTE: NOT PROVIDED BY AIRGLAS
61	2		MS51527-4	HYDRAULIC FITTING	
62	2		1032x3/8"	NYLON SET SCREW	
63	2		NAS1312-15	BOLT	ALT P/N# AN12-17A
64	1		MS171598	ROLL PIN, 1 1/2" LENGTH	
65	1		AN395-17	CLEVIS PIN	
66	1		MS24665-281	COTTER PIN	
67	2		AN5-26A	BOLT	
68	As Req		AN960-1216	WASHER	
69	As Req		AN960-1216L	WASHER	
70	1		AN396-15	CLEVIS PIN	
70A	1		AN396-19	CLEVIS PIN	
71	2		MS24665-283	COTTER PIN	
72	2		MS21044N5	NUT	

FORWARD SIDE LOCATION ONLY



LH4000-GA8 MAIN SKI

UNLESS OTHERWISE SPECIFIED DIMENSIONS ARE IN INCHES		CONTRACT NO.	Airglas, Inc. Anchorage, Alaska	
DECIMALS 1/16" ANGLES 1/4" & 5'		SPEC. CONTROL NO.	GLH3000 NOSE AND LH4000 MAIN SKI INSTALLATION ON GIPPSAERO GA8 SERIES	
HEAT TREAT MATERIAL GOV. SPEC. STEEL MIL - H - 6875 ALUM. MIL - H - 8088 MAG. CAST MIL - H - 8857		Approved by: JDH	Size Code Ident.No.	REV
NEXT ASSY.	USED ON	Checked by: JDH	B 17564 LH4000-GA8	C
APPLICATION		Drawn by: CDB	Date: FEB 14, 2018	Scale: Do Not Scale Sheet 7 OF 10