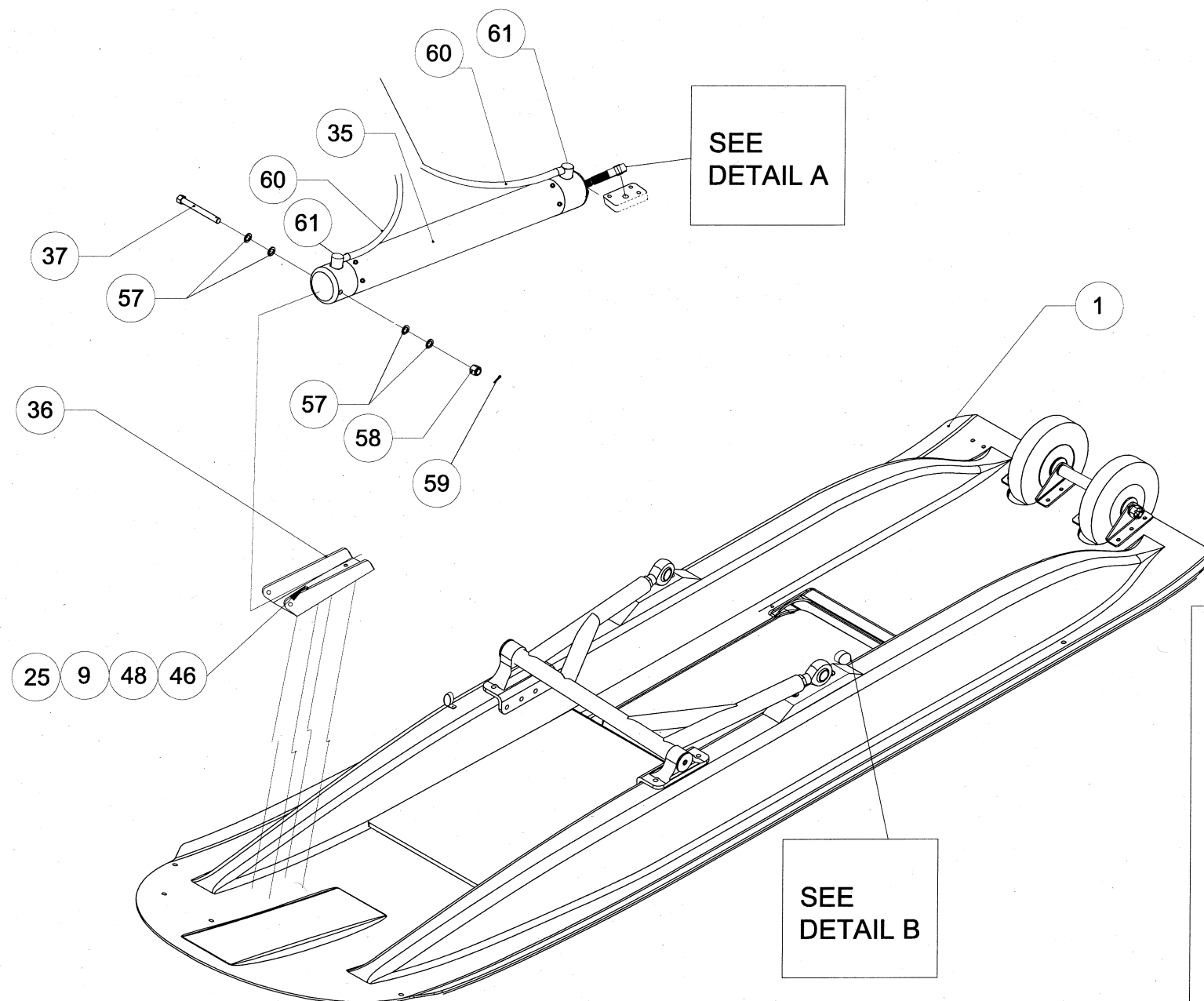


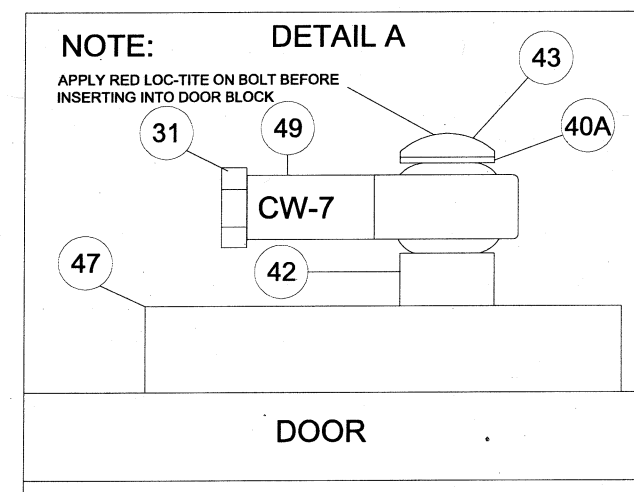
		REVISIONS	
REV	DESCRIPTION	DATE	APPROVED BY
A	Minor Drafting Change	7/12/2018	JDH
B	Minor Drafting Change	8/7/2018	JDH
C	Corrected Tolerance	1/14/2019	JDH

NOTES: UNLESS OTHERWISE SPECIFIED

1. NO PERMISSIBLE ALTERNATIVE CONSTRUCTION



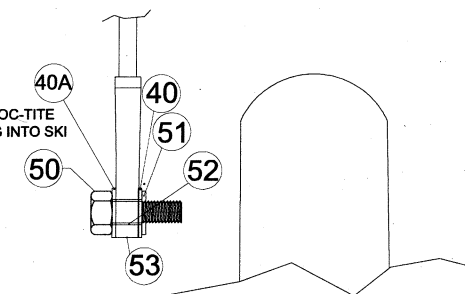
NOTES: UNLESS OTHERWISE SPECIFIED



YOKE RETRAINING CABLE INSTALLATION

NOTE:

APPLY BLUE (REMOVABLE) LOC-TITE ON BOLT BEFORE INSERTING INTO SKI



DETAIL B

LIST OF MATERIALS (PER SKI) SHEETS 6, 7, AND 8					
NO.	QTY	CODE-IDENT-NO	PART NO.	DESCRIPTION	NOTES
1	1	17564	LH3600-01-1	SKI MOLDING ASSY	
2	1	17564	LH3600A-8	DOOR ASSY	
3	2	17564	GLH3000-01-2	GUIDE	
4	8		AN50910R-16	SCREW	
5	1	17564	LH3600A-12	TAIL WHEEL ASSY	
6	2	17564	LH3600-01-3	SKI RUNNER	
7	2	17564	LH3600-01-11	REAR SKI RUNNER	
8	34		AN509-10R-12	SCREW	
9	38		MS21042.3	NUT	
10	2		SSB6-8	RIVET	
11	2		SSB6-12	RIVET	
12	8		AN4-7A	BOLT	(ALT. AN4-10A)
13	11		AN960-416	WASHER	
14	11		AN365-428A	NUT	
15	14		AN5-7A	BOLT	
16	16		AN960-516	WASHER	
16A	1		AN960-516L	WASHER	
17	2		AN960-1416L	WASHER	
18	1	17564	LH3600-S-GA8	YOKE ASSY	
19	1	17564	LH3600-3	SKI ATTACH FITTING	
20	1	17564	LH3600-4	SKI ATTACH FITTING	
21	2	17564	LH3600-5-4	YOKE BUCKET	
22	1	17564	LH3600-5-5	RETAINING ROD	
23	4	17564	LH3600-01-4	YOKE PAD	
24	1	17564	LH3600-01-5	YOKE PAD	
25	4		A3235-020-24A	COUNTERSUNK WASHER	
26	2		AN365-524C	NUT	
27			RESERVED		
28	1	17564	LH4000-GA8-14	FRONT BUNGEE ASSY	
29	1	17564	LH4000-GA8-15	FRONT SAFETY CABLE	
30	1		AN25-12	CLEVIS BOLT	
31	1		AN316-7R	NUT	
32	3		AN365-524A	NUT	
33	2		AN970-516	WASHER	
34	1	17564	LH4000-GA8-13L	CHECK CABLE, MAIN SKI-LH	
34A	1	17564	LH4000-GA8-13R	CHECK CABLE, MAIN SKI RH	NOT DEPICTED
35	1	17564	LH3600A-9	HYDRAULIC CYLINDER ASSY	
36	1	17564	LH3600-9A-6	MOUNTING BRACKET	
37	1		AN4-25	BOLT	
38	1	17564	LH3600-6-GA8	FLANGE	
39	1	17564	LH3600-7-GA8	STUBAXLE	
40	1		AN960-716	WASHER	
40A	2		AN960-716L	WASHER	
41	1		AN25-12	CLEVIS BOLT	
42	1	17564	92510A795(MOD)	SPACER	DRILL ID TO .4375 A.K.A. (PA32-206L 5)
43	1		AN27-23	CLEVIS BOLT	
44	2		MS21919WDG16	CLAMP	
45	2		AN3-5	BOLT	
46	4		NAS517-3-5	SCREW	
47	1	17564	GLH3000-9-8	DOOR, CYL. ATTACH BLOCK	
48	4		AN960-10	WASHER	
49	1		CW-7	ROD END	
50	1		AN6-10A	BOLT	
51	1		AN960-616	WASHER	
52	1		A560-2	SPACER	
53	1		LH3600-10	YOKE RETRAINING CABLE	
54	3		NAS517-4-14	SCREW	
55	3		7676	5/16 18-8 SS FENDER WASHER	
56	8		2931	1/4 18-8 SS FENDER WASHER	
57	4		AN960-416L	WASHER	
58	1		AN310-4	NUT	
59	1		AN380-2.2	COTTER PIN	
60	A/R		111.4	Stratoflex hose or equivalent	NOTE: NOT PROVIDED BY AIRGLAS
61	2		MS51527.4	HYDRAULIC FITTING	
62	2		1032x3/8"	NYLON SET SCREW	
63	2		NAS1312-15	BOLT	ALT P/N#: AN12-17A
64	1		MS171598	ROLL PIN, 1 1/2" LENGTH	
65	1		AN395-17	CLEVIS PIN	
66	1		MS24665-281	COTTER PIN	
67	2		AN5-26A	BOLT	
68	As Req.		AN960-1216	WASHER	
69	As Req.		AN960-1216L	WASHER	
70	1		AN396-15	CLEVIS PIN	
70A	1		AN396-19	CLEVIS PIN	
71	2		MS24665-283	COTTER PIN	
72	2		MS21044N5	NUT	

UNLESS OTHERWISE SPECIFIED DIMENSIONS ARE IN INCHES		CONTRACT NO.	Airglas, Inc. Anchorage, Alaska	
DECIMALS: 1/16, 1/32, 1/64, 3/32, 1/8, 3/16, 1/4, 3/8, 1/2, 5/8, 3/4, 7/8, 1, 1 1/8, 1 1/4, 1 1/2, 1 3/4, 2, 2 1/4, 2 1/2, 3, 3 1/4, 3 1/2, 4, 4 1/4, 4 1/2, 5, 5 1/4, 5 1/2, 6, 6 1/4, 6 1/2, 7, 7 1/4, 7 1/2, 8, 8 1/4, 8 1/2, 9, 9 1/4, 9 1/2, 10		SPEC. CONTROL NO.	GLH3000 NOSE AND LH4000 MAIN SKI INSTALLATION ON GIPPSAERO GA8 SERIES	
HEAT TREAT MATERIAL GOV. SPEC. STEEL MIL - H - 8875 ALUM. MIL - H - 8988 MAG. CAST MIL - H - 8857		Approved by: JDH	Size Code Ident.No. REV	
NEXT ASSY. USED ON	Application	Checked by: JDH	B 17564	LH4000-GA8 C
		Drawn by: CDB	Date: FEB 14, 2018 Scale: Do Not Scale Sheet 9 OF 10	