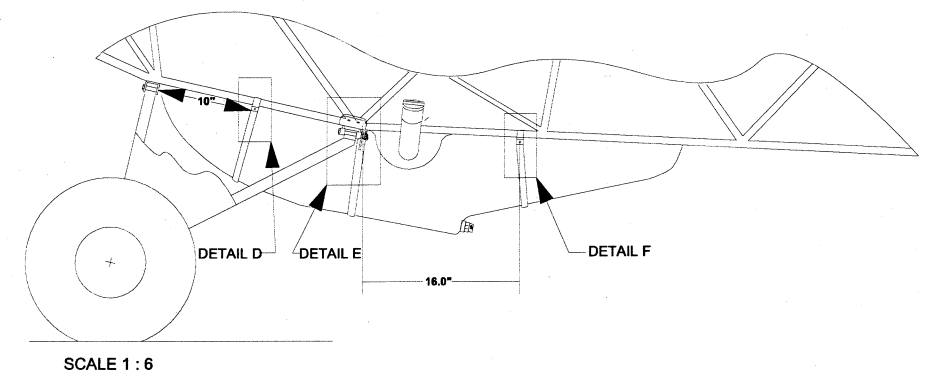
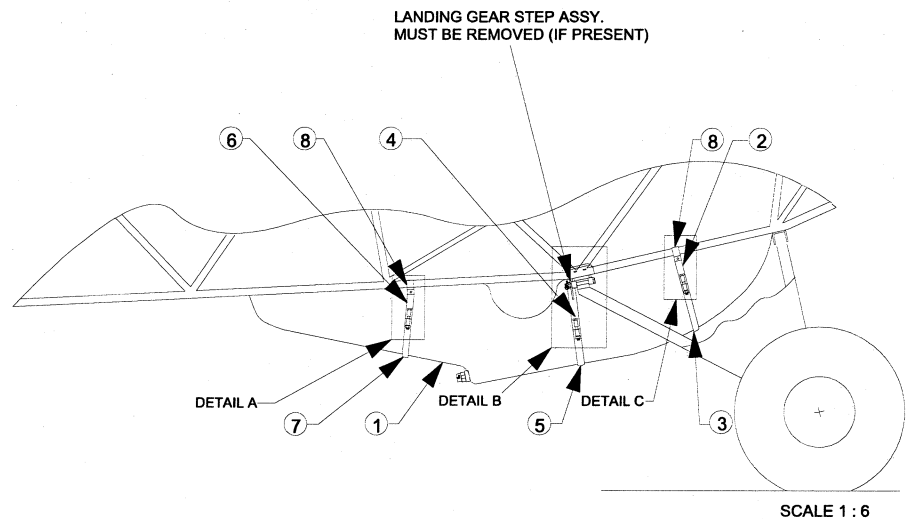
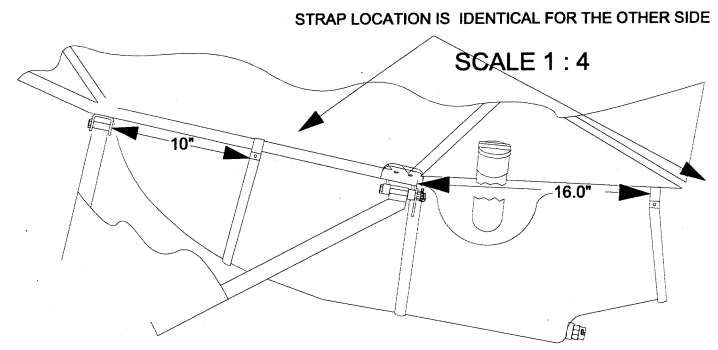
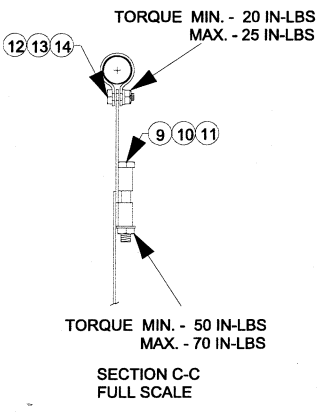
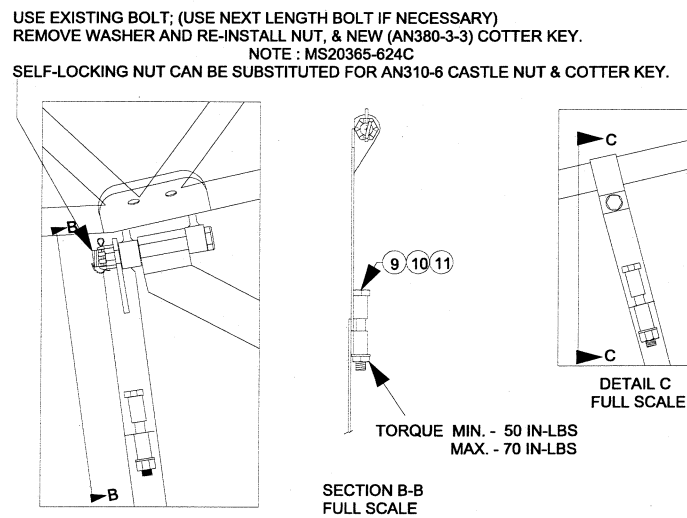
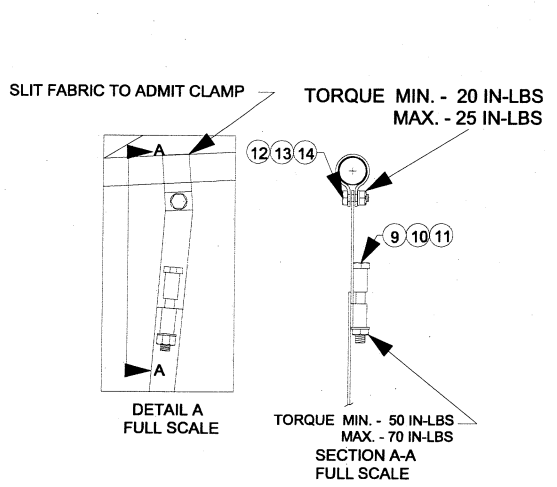


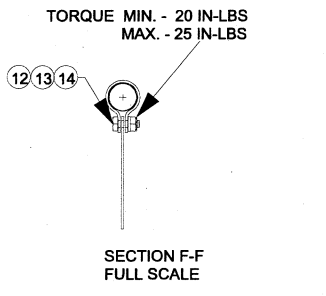
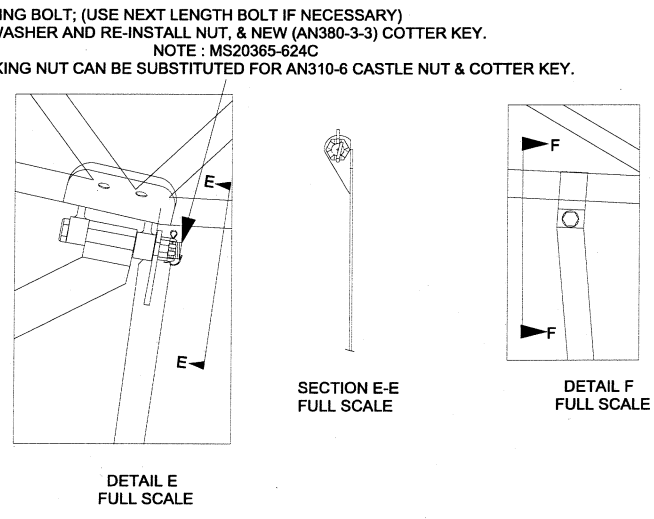
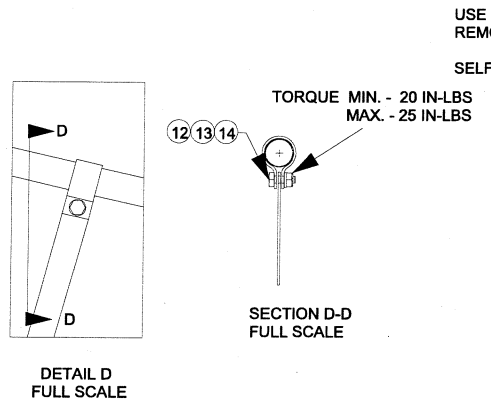
ZONE	LTR	REVISIONS DESCRIPTION	DATE	APRVD BY
ALL	A	UPDATED DRAWING DATA	24 JUNE 2008	CED



AIRCRAFT IS SHOWN RESTING ON THE GROUND WITH 8.50 x 6 TIRES INSTALLED



REDUCED DRAWING



NO.	QTY	CODE IDENT. NO.	PART NUMBER	DESCRIPTION	STOCK SIZE	MATERIAL	MATERIAL SPEC.	UTS 1000	FINISH	CALC. UNIT	ACT. WT	ZONE
15	1		AG34004	FUEL CAP								G3
14	4		AN385-1032	NUT								C4
13	4		AN960-10	WASHER								C4
12	4		AN3-4A	BOLT								C4
11	3		AN365-428	NUT								E5
10	3		AN960-416	WASHER								E5
9	3		AN4-24A or MS90727-16	BOLT								E5
8	4		LTC18-8	CLAMP								G7
7	1		4130-30-2	STRAP ASSY.								G7
6	1		4130-3-2	STRAP ASSY.								G7
5	1		4130-34-3	STRAP ASSY.								G6
4	1		4130-5-3	STRAP ASSY.								G6
3	1		4130-29-4	STRAP ASSY.								G6
2	1		4130-7-4	STRAP ASSY.								G6
1	1		LT32PA-18-1	FUEL POD								G6
1	1		LT32PA-18	POD KIT								G3

LIST OF MATERIALS

UNLESS OTHERWISE SPECIFIED DIMENSIONS ARE IN INCHES

CONTRACT NO. _____
SPEC. CONTROL NO. _____

APPROVED BY: WKL
CHECKED BY: WKL
DRAWN BY: Gary Landes
DATE: 11-13-96

AIRGLAS, INC.
Anchorage, Alaska

LT32PA-18
FUEL POD/BELLY TANK
INSTALLATION DRAWING

Size Code Ident. No. D 17564
Scale NOTED

REV A
Sheet 1 OF 1